

# TW01 WIFI Adapter Box User Manual

WIFI Adapter Box, which is primarily designed to address the issue of incompatible remotes and facilitate the conversion of garage door/car/light remotes into mobile phone-controllable devices.

## Package Contents

- ① 1 x WIFI Adapter Box
- ② 2 x Remotes (default frequency: 433Mhz)
- ③ 1 x Power Cable
- ④ 1 x Connection Cable
- ⑤ 2 x Key Ring

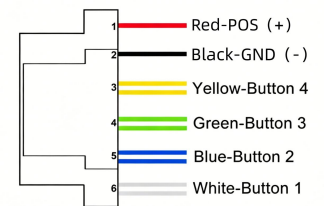


## Wiring Guidelines

For specific operational steps, please refer to the attached connection diagram.

The wiring rules are as follows:

- Red wire: Connect to the positive pole of the remote power supply.
- Black wire: Connect to the negative pole of the remote power supply.
- Wires arranged from top to bottom (White, Blue, Green, Yellow) correspond to keys 1, 2, 3, and 4 of the remote respectively.
- Each wire shall be connected in pairs to the two ends of the corresponding key.



## Power Supply Configuration

Remotes are available in different power supply specifications (3.3V, 6V, 12V) such as those powered by 2\*2016 batteries, one 3A battery, or one 27A battery. The adapter box provides three power supply options, and the appropriate option shall be selected based on the remote's specifications:

- Top position: 3.3V (the pre-configured remotes are 3.3V, so this position is set as the default).
- Middle position: 6V
- Bottom position: 12V

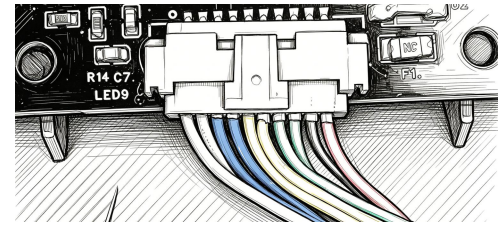
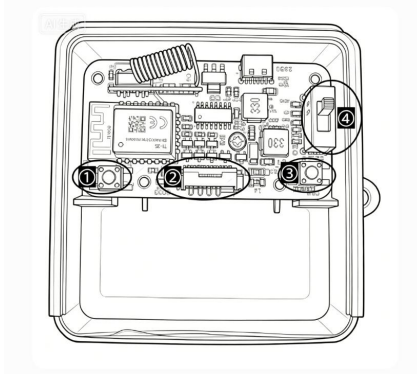
After selecting the correct power supply, plug in the power cable to power on the adapter box.

Note: It is recommended to remove the remote control battery when not in use. If the battery is not removed, do not connect the red wire. Avoid reverse current backflow to prevent battery damage.

Do not supply 12V power to a 3.3V remote control, otherwise it will easily burn out the device.

## WIFI Adapter Box Content

- ① WIFI Learning Button
- ② Remote Control Power Cord
- ③ Decoding Button
- ④ Voltage Selection



## Remote Learning

The two included remotes are pre-matched with the adapter box. If additional remotes need to be added, please follow the steps below:

1. Press the decoding button (the right button inside the box) once; the indicator light will flash to indicate that the device is in learning mode.
2. Press any key on the new remote; the indicator light will flash rapidly, signifying successful learning of the key.
3. Press keys 1 to 4 in sequence to complete the learning of all keys. The indicator light will flash again to confirm that the new remote can control the wired remote.

Note: The left button inside the box is the WIFI learning button.

## WIFI Matching

1. Long-press the WIFI learning button (the left button) until the blue light stays on.
2. Open the "Smart Life" APP on your mobile phone.
3. The APP will automatically detect the device; if detection fails, manually select "Add Device".
4. Select the target device, enter your WIFI password, and click "Next" to complete the matching process.

## Test Operation

After all configurations are completed, perform the following tests to verify functionality:

1. Connect the adapter box to the target device.
2. Click keys 1 to 4 on your mobile phone in sequence; the remote connected to the adapter box will flash, indicating successful matching. Once the above steps are completed, you may use the matched remotes and your mobile phone to control the target device.
3. Close the cover of the adapter box and ensure it remains powered on.